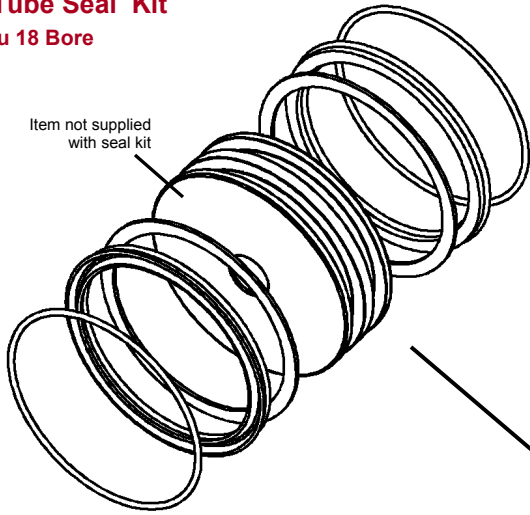
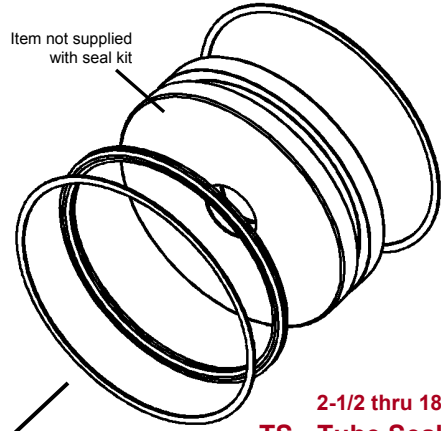


TS - Tube Seal Kit
20 thru 18 Bore

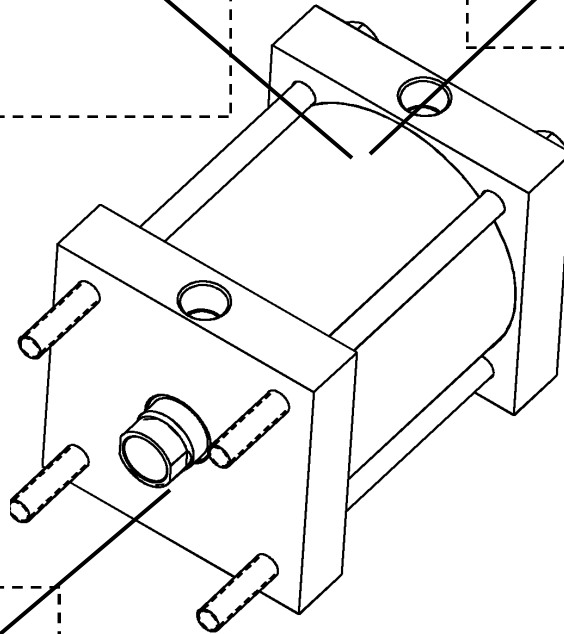
Item not supplied
with seal kit



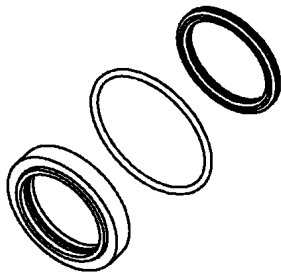
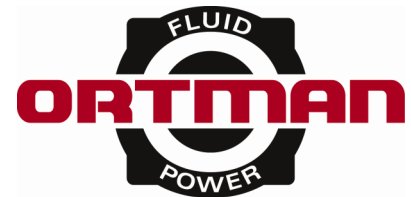
Item not supplied
with seal kit



2-1/2 thru 18 bore
TS - Tube Seal Kit



FA Series
2-1/2" to 24" Bores



RS - Rod Seal Kit

Rod glands is are not included in the complete repair kits.

Don't forget the Magnalube-G® assembly grease. Available in a 3/4 oz. tube as OFP part no. 147. (Not included with service kits)

Complete Repair Kits

ROD DIA.	BORE	MATERIAL TYPE	
		STD	VITON®
.63	2.50	KFA0250BUNA	KFA0250VITON
1.00	3.25	KFA0325BUNA	KFA0325VITON
	4.00	KFA0400BUNA	KFA0400VITON
	5.00	KFA0500BUNA	KFA0500VITON
	6.00	KFA0600BUNA	KFA0600VITON
	7.00	KFA0700BUNA	KFA0700VITON
	8.00	KFA0800BUNA	KFA0800VITON
	10.00	KFA1000BUNA-A	KFA1000VITON-A
1.38	12.00	KFA1200BUNA-A	KFA1200VITON-A
	14.00	KFA1400BUNA-A	KFA1400VITON-A
1.75	16.00	KFA1600BUNA-A	KFA1600VITON-A
2.00	18.00	KFA1800BUNA-A	KFA1800VITON-A
	20.00	KFA2000BUNA	KFA2000VITON
3.00	22.00	KFA2200BUNA	KFA2200VITON
3.50	24.00	KFA2400BUNA	KFA2400VITON