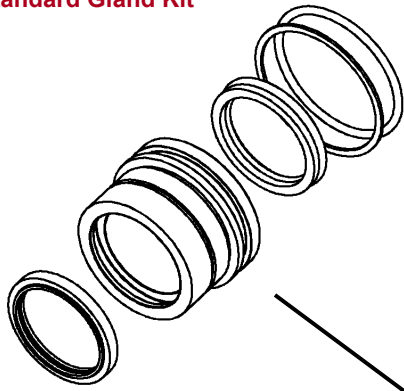


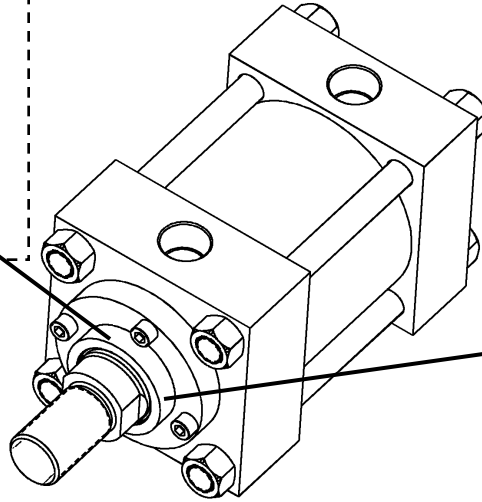
Standard Gland Kit



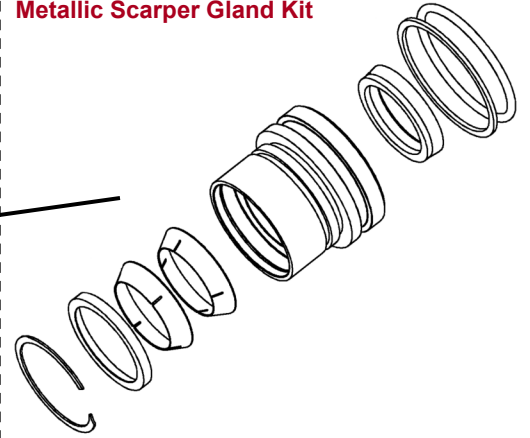
Rod Gland Kits – RG Kits

3TH Series

1-1/2" to 20" Bores



Metallic Scaper Gland Kit



ROD DIA.	BORE RANGE	MATERIAL TYPE					
		STD	VITON®	EPR	TEFLON	BUNA	WATER
.63	1.50	RG003530010	RG003530011	RG003530012	RG003530014	RG003530010B	RG003530010W
1.00	1.50-2.50	RG003530020	RG003530021	RG003530022	RG003530024	RG003530020B	RG003530020W
1.38	2.00-3.25	RG003530030	RG003530031	RG003530032	RG003530034	RG003530030B	RG003530030W
1.75	2.50-4.00	RG003530040	RG003530041	RG003530042	RG003530044	RG003530040B	RG003530040W
2.00	3.25-4.50	RG003530050	RG003530051	RG003530052	RG003530054	RG003530050B	RG003530050W
2.50	4.00-6.00	RG003530060	RG003530061	RG003530062	RG003530064	RG003530060B	RG003530060W
3.00	5.00-7.00	RG003530070	RG003530071	RG003530072	RG003530074	RG003530070B	RG003530070W
3.50	5.00-8.00	RG003530080	RG003530081	RG003530082	RG003530084	RG003530080B	RG003530080W
4.00	6.00-8.00	RG003530090	RG003530091	RG003530092	RG003530094	RG003530090B	RG003530090W
	6.00-8.00	RG003530100	RG003530101	RG003530102	RG003530104	RG003530100B	RG003530100W
4.50	10.00	RG303530100	RG303530101	RG303530102	RG303530104	RG303530100B	RG303530100W
	7.00-8.00	RG003530110	RG003530111	RG003530112	RG003530114	RG003530110B	RG003530110W
5.00	10.00	RG303530110	RG303530111	RG303530112	RG303530114	RG303530110B	RG303530110W
	8.00	RG003530120	RG003530121	RG003530122	RG003530124	RG003530120B	RG003530120W
5.50	10.00	RG303530120	RG303530121	RG303530122	RG303530124	RG303530120B	RG303530120W
	12.00	RG323530120	RG323530121	RG323530122	RG323530124	RG323530120B	RG323530120W
7.00	10.00	RG303530130	RG303530131	RG303530132	RG303530134	RG303530130B	RG303530130W
	12.00	RG323530130	RG323530131	RG323530132	RG323530134	RG323530130B	RG323530130W
	14.00	RG343530130	RG343530131	RG343530132	RG343530134	RG343530130B	RG343530130W
8.50	12.00	RG323530140	RG323530141	RG323530142	RG323530144	RG323530140B	RG323530140W
	14.00	RG343530140	RG343530141	RG343530142	RG343530144	RG343530140B	RG343530140W
	16.00	RG363530140	RG363530141	RG363530142	RG363530144	RG363530140B	RG363530140W
10.00	14.00	RG343530150	RG343530151	RG343530152	RG343530154	RG343530150B	RG343530150W
	16.00	RG363530150	RG363530151	RG363530152	RG363530154	RG363530150B	RG363530150W
	18.00	RG383530150	RG383530151	RG383530152	RG383530154	RG383530150B	RG383530150W
	20.00	RG393530150	RG393530151	RG393530152	RG393530154	RG393530150B	RG393530150W

All rod gland kits are pre-packed and ready for easy and quick installs.

Standard seal kit includes Buna and Polyurethane materials

Rod Gland Drains are available with the standard, viton, epr, buna, and water kits; just add "D" to the end of the gland kit part number. Example: RG003530040D

Metallic Scaper are available with the standard, viton, and epr kits; just add "M3" to the end of the seal kit part number. Example: RG003530040M3.

On the buna kits; just add "M" to the end of the seal kit part number. Example: RG003530040BM

The water kits include a CAD plated rod bearing, buna seals, and teflon backups.

EPR equals Ethylene Propylene Material

Don't forget the Magnalube-G® assembly grease. Available in a 3/4 oz. tube as OFF part no. 147. (Not included with service kits)

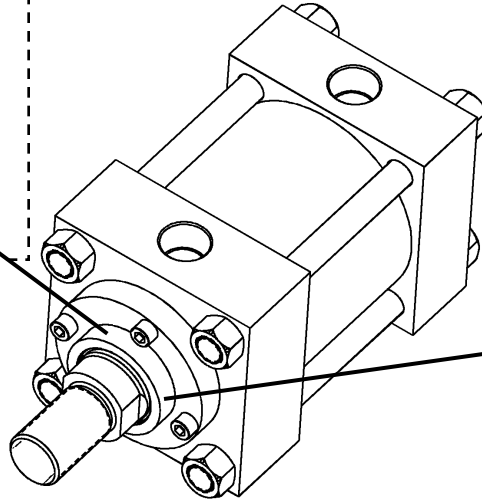
Standard Seal Kit

Item not included with seal kit

Rod Seal Kits – RS Kits

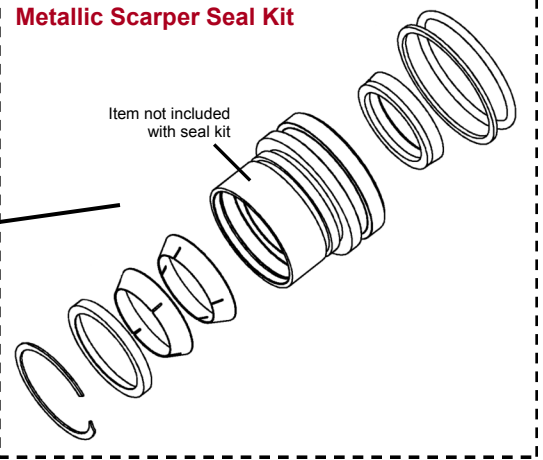
3TH Series

1-1/2" to 20" Bores



Metallic Scarper Seal Kit

Item not included with seal kit



ROD DIA.	BORE RANGE	MATERIAL TYPE					
		STD	VITON®	EPR	TEFLON	BUNA	WATER
.63	1.50	RS003540010	RS003540011	RS003540012	RS003540014	RS003540010B	RS003540010W
1.00	1.50-2.50	RS003540020	RS003540021	RS003540022	RS003540024	RS003540020B	RS003540020W
1.38	2.00-3.25	RS003540030	RS003540031	RS003540032	RS003540034	RS003540030B	RS003540030W
1.75	2.50-4.00	RS003540040	RS003540041	RS003540042	RS003540044	RS003540040B	RS003540040W
2.00	3.25-4.50	RS003540050	RS003540051	RS003540052	RS003540054	RS003540050B	RS003540050W
2.50	4.00-6.00	RS003540060	RS003540061	RS003540062	RS003540064	RS003540060B	RS003540060W
3.00	5.00-7.00	RS003540070	RS003540071	RS003540072	RS003540074	RS003540070B	RS003540070W
3.50	5.00-8.00	RS003540080	RS003540081	RS003540082	RS003540084	RS003540080B	RS003540080W
4.00	6.00-8.00	RS003540090	RS003540091	RS003540092	RS003540094	RS003540090B	RS003540090W
4.50	6.00-8.00	RS003540100	RS003540101	RS003540102	RS003540104	RS003540100B	RS003540100W
	10.00	RS303540100	RS303540101	RS303540102	RS303540104	RS303540100B	RS303540100W
5.00	7.00-8.00	RS003540110	RS003540111	RS003540112	RS003540114	RS003540110B	RS003540110W
	10.00	RS303540110	RS303540111	RS303540112	RS303540114	RS303540110B	RS303540110W
5.50	8.00	RS003540120	RS003540121	RS003540122	RS003540124	RS003540120B	RS003540120W
	10.00	RS303540120	RS303540121	RS303540122	RS303540124	RS303540120B	RS303540120W
	12.00	RS323540120	RS323540121	RS323540122	RS323540124	RS323540120B	RS323540120W
7.00	10.00	RS303540130	RS303540131	RS303540132	RS303540134	RS303540130B	RS303540130W
	12.00	RS323540130	RS323540131	RS323540132	RS323540134	RS323540130B	RS323540130W
	14.00	RS343540130	RS343540131	RS343540132	RS343540134	RS343540130B	RS343540130W
8.50	12.00	RS323540140	RS323540141	RS323540142	RS323540144	RS323540140B	RS323540140W
	14.00	RS343540140	RS343540141	RS343540142	RS343540144	RS343540140B	RS343540140W
	16.00	RS363540140	RS363540141	RS363540142	RS363540144	RS363540140B	RS363540140W
10.00	14.00	RS343540150	RS343540151	RS343540152	RS343540154	RS343540150B	RS343540150W
	16.00	RS363540150	RS363540151	RS363540152	RS363540154	RS363540150B	RS363540150W
	18.00	RS383540150	RS383540151	RS383540152	RS383540154	RS383540150B	RS383540150W
	20.00	RS393540150	RS393540151	RS393540152	RS393540154	RS393540150B	RS393540150W

Standard seal kit includes Buna and Polyurethane materials

EPR equals Ethylene Propylene Material

Don't forget the Magnalube-G® assembly grease. Available in a 3/4 oz. tube as OFP part no. 147. (Not included with service kits)



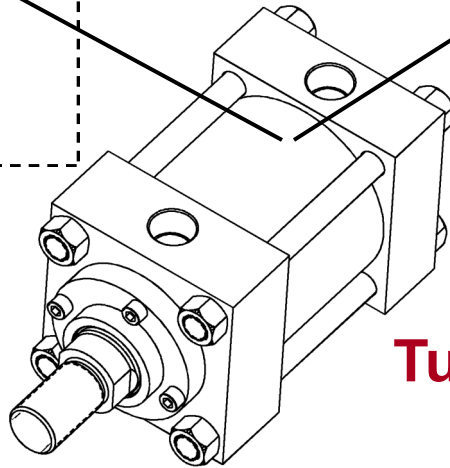
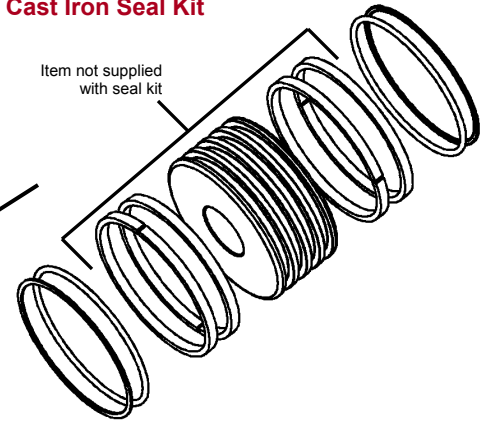
Standard Seal Kit

Item not supplied with seal kit



Cast Iron Seal Kit

Item not supplied with seal kit



Tube Seal Kits - TS Kits
3TH Series
1-1/2" to 20" Bores

BORE	MATERIAL TYPE					
	SOFT PACKING AND SEALS					
	STD	VITON®	EPR	TELFON	BUNA	WATER
1.50	TS523511000	TS523511001	TS523511002	TS523511004	TS523512000	TS523512000G
2.00	TS533511000	TS533511001	TS533511002	TS533511004	TS533512000	TS533512000G
2.50	TS543511000	TS543511001	TS543511002	TS543511004	TS543512000	TS543512000G
3.25	TS563511000	TS563511001	TS563511002	TS563511004	TS563512000	TS563512000G
4.00	TS583511000	TS583511001	TS583511002	TS583511004	TS583512000	TS583512000G
5.00	TS593511000	TS593511001	TS593511002	TS593511004	TS593512000	TS593512000G
6.00	TS603511000	TS603511001	TS603511002	TS603511004	TS603512000	TS603512000G
7.00	TS613511000	TS613511001	TS613511002	TS613511004	TS613512000	TS613512000G
8.00	TS623511000	TS623511001	TS623511002	TS623511004	TS623512000	TS623512000G
10.00	TS633511000	TS633511001	TS633511002	N/A	TS633512000	TS633512000G
12.00	TS643511000	TS643511001	TS643511002	N/A	TS643512000	TS643512000G
14.00	TS653511000	TS653511001	TS653511002	N/A	TS653512000	TS653512000G
16.00	TS663511000	TS663511001	TS663511002	N/A	TS663512000	TS663512000G
18.00	TS673511000	TS673511001	TS673511002	N/A	N/A	N/A
20.00	TS683511000	TS683511001	TS683511002	N/A	N/A	N/A

Standard seal kit includes Buna and Polyurethane materials

The viton®, buna, epr, and water kits will contain a backup for the piston packing. (Not shown above)

The standard and viton® kits uses the same OFF's u-cup piston design.

The epr, buna, and water kits uses the same OFF's block-vee piston design.

The teflon kit includes a Gyld-ring seal with a wearband and its only unique piston design. (Not shown above)

EPR equals Ethylene Propylene Material

BORE	MATERIAL TYPE			
	SOFT SEALS FOR METALLIC RING CYLINDERS			
	STD	VITON®	EPR	WATER
1.50	TS523510000	TS523510001	TS523510002	TS523510000G
2.00	TS533510000	TS533510001	TS533510002	TS533510000G
2.50	TS543510000	TS543510001	TS543510002	TS543510000G
3.25	TS563510000	TS563510001	TS563510002	TS563510000G
4.00	TS583510000	TS583510001	TS583510002	TS583510000G
5.00	TS593510000	TS593510001	TS593510002	TS593510000G
6.00	TS603510000	TS603510001	TS603510002	TS603510000G
7.00	TS613510000	TS613510001	TS613510002	TS613510000G
8.00	TS623510000	TS623510001	TS623510002	TS623510000G
10.00	TS633510000	TS633510001	TS633510002	TS633510000G
12.00	TS643510000	TS643510001	TS643510002	TS643510000G
14.00	TS653510000	TS653510001	TS653510002	TS653510000G
16.00	TS663510000	TS663510001	TS663510002	TS663510000G
18.00	TS673510000	TS673510001	TS673510002	TS673510000G
20.00	TS683510000	TS683510001	TS683510002	TS683510000G

NOT INCLUDED IN KIT	
CAST IRON RINGS	
PART	QTY
Y8253-1	4
Y8253-2	4
Y8253-3	4
Y8253-4	4
Y8253-5	4
Y8253-19	4
Y8253-7	4
Y8253-8	4
Y8253-9	4
Y8253-25	4
Y8253-26	4
Y8253-27	4
Y8253-28	4
Y8253-31	4
Y8253-32	4

Don't forget the Magnalube-G® assembly grease. Available in a 3/4 oz. tube as OFF part no. 147. (Not included with service kits)

The cast iron rings are not included in the Tube Seal Repair Kits.

The cast iron rings must be purchased separately and the quantity that is listed is per cylinder.

The cast iron rings are butt-cut which require alternating the gap during installs.