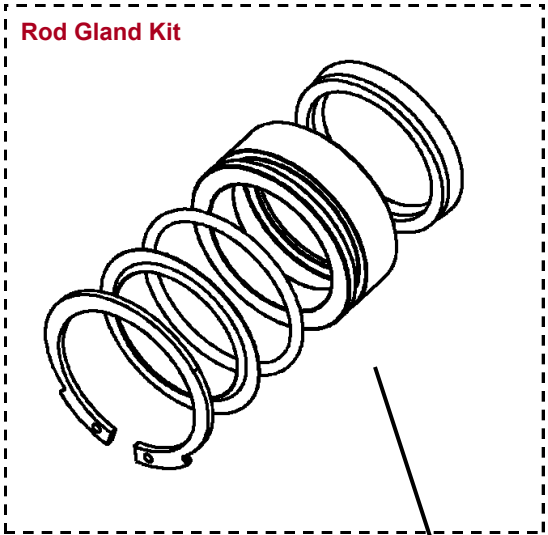


Rod Gland Kits - RG Kits

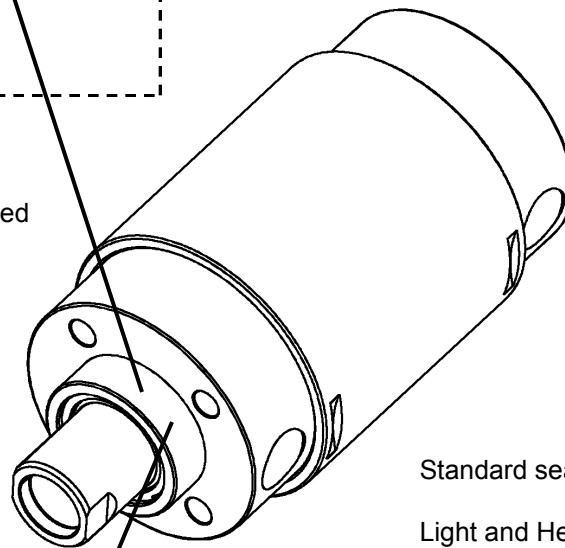
ROD DIA.	BORE RANGE	MATERIAL TYPE			
		STD	VITON®	EPR	WATER
.75	1.50-2.00	RG001530160	RG001530161	RG001530162	RG001530160W
1.00	2.50-3.00	RG001530020	RG001530021	RG001530022	RG001530020W
1.25	3.50-4.00	RG001530170	RG001530171	RG001530172	RG001530170W
1.50	5.00	RG001530180	RG001530181	RG001530182	RG001530180W
1.75	6.00	RG001530040	RG001530041	RG001530042	RG001530040W
2.25	8.00	RG001530190	RG001530191	RG001530192	RG001530190W

Water Application including a Bronze rod bearing and Buna seals. The remaining rod gland kits contain a ductile iron bearing.



Rod Gland Kit

All rod gland kits are pre-packed and ready for easy and quick installs.



101L Series 1-1/2" to 8" Bores

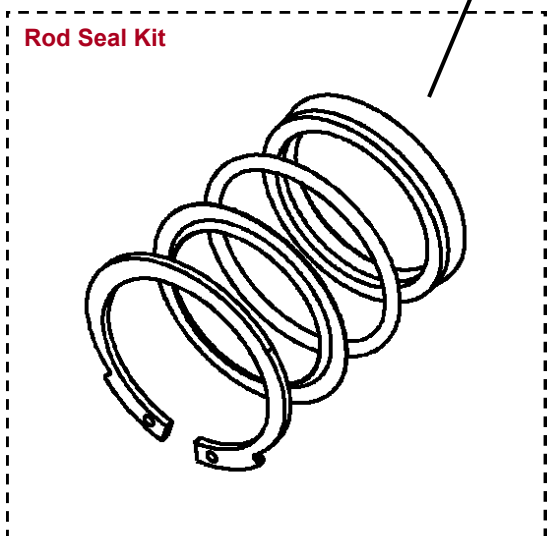


Standard seal kit includes Buna material

Light and Heavy Duty Applications use the same rod gland and seal kits.

EPR equals Ethylene Propylene Material

Don't forget the Magnalube-G® assembly grease. Available in a 3/4 oz. tube as OFP part no. 147. (Not included with service kits)



Rod Seal Kit

Rod Seal Kits - RS Kits

ROD DIA.	BORE RANGE	MATERIAL TYPE			
		STD	VITON®	EPR	WATER
.75	1.50-2.00	RS001540160	RS001540161	RS001540162	RS001540160W
1.00	2.50-3.00	RS001540020	RS001540021	RS001540022	RS001540020W
1.25	3.50-4.00	RS001540170	RS001540171	RS001540172	RS001540170W
1.50	5.00	RS001540180	RS001540181	RS001540182	RS001540180W
1.75	6.00	RS001540040	RS001540041	RS001540042	RS001540040W
2.25	8.00	RS001540190	RS001540191	RS001540192	RS001540190W

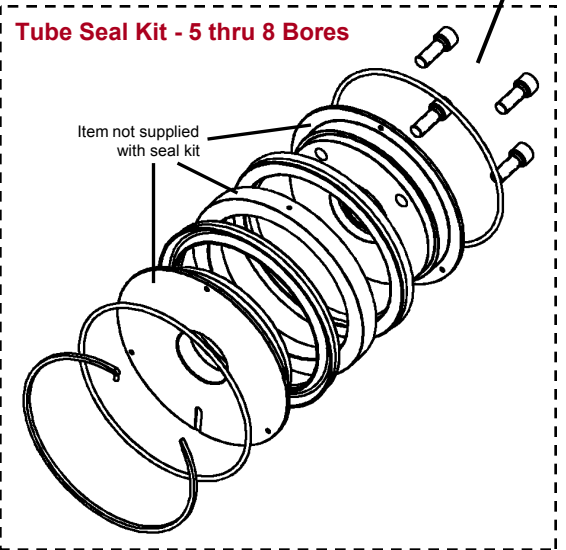
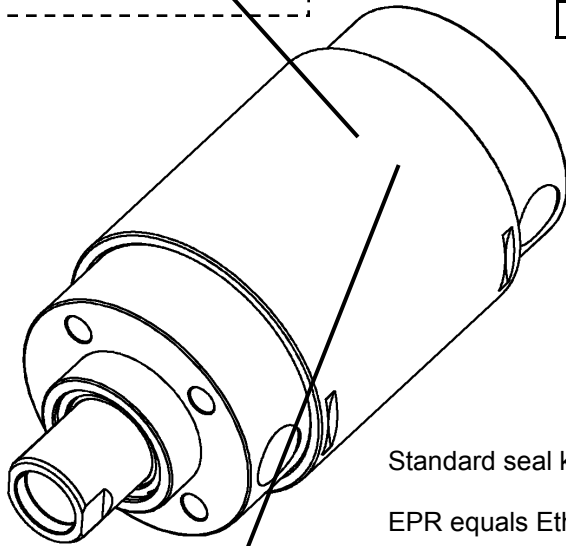
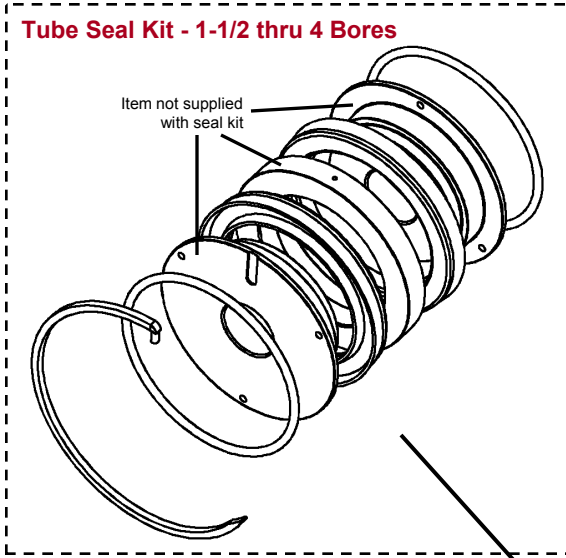
Tube Seal Kits - TS Kits

Light Duty

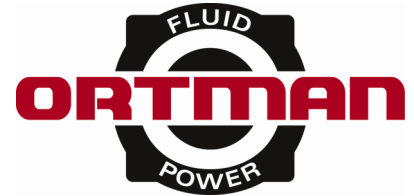
BORE	MATERIAL TYPE		
	STD	VITON®	EPR
1.50	TS2715120L0	TS2715120L1	TS2715120L2
2.00	TS2815120L0	TS2815120L1	TS2815120L2
2.50	TS2915120L0	TS2915120L1	TS2915120L2
3.00	TS3015120L0	TS3015120L1	TS3015120L2
3.50	TS3215120L0	TS3215120L1	TS3215120L2
4.00	TS3315120L0	TS3315120L1	TS3315120L2

Heavy Duty

BORE	MATERIAL TYPE		
	STD	VITON®	EPR
1.50	TS2715120H0	TS2715120H1	TS2715120H2
2.00	TS2815120H0	TS2815120H1	TS2815120H2
2.50	TS2915120H0	TS2915120H1	TS2915120H2
3.00	TS3015120H0	TS3015120H1	TS3015120H2
3.50	TS3215120H0	TS3215120H1	TS3215120H2
4.00	TS3315120H0	TS3315120H1	TS3315120H2



101L Series 1-1/2" to 8" Bores



Standard seal kit includes Buna material

EPR equals Ethylene Propylene Material

Don't forget the Magnalube-G® assembly grease.
Available in a 3/4 oz. tube as OFF part no. 147.
(Not included with service kits)

Light Duty

BORE	MATERIAL TYPE		
	STD	VITON®	EPR
5.00	TS3415120L0	TS3415120L1	TS3415120L2
6.00	TS3515120L0	TS3515120L1	TS3515120L2
8.00	TS3715120L0	TS3715120L1	TS3715120L2

Heavy Duty

BORE	MATERIAL TYPE		
	STD	VITON®	EPR
5.00	TS3415120H0	TS3415120H1	TS3415120H2
6.00	TS3515120H0	TS3515120H1	TS3515120H2
8.00	TS3715120H0	TS3715120H1	TS3715120H2