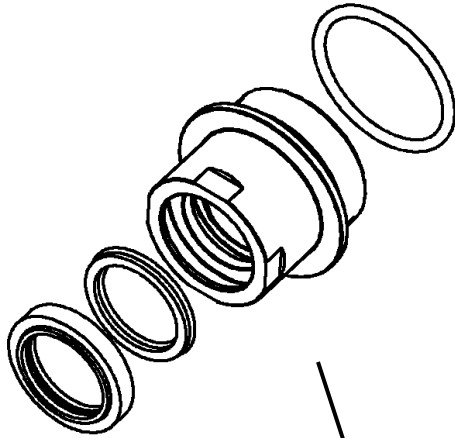


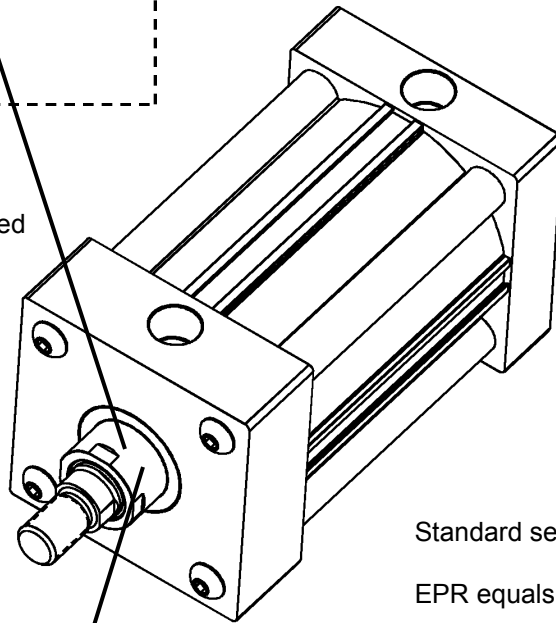
Rod Gland Kits - RG Kits

ROD DIA.	BORE	MATERIAL TYPE		
		STD	VITON®	EPR
.63	1.50	RG00AS30310	RG00AS30311	RG00AS30312
	2.00-2.50	RG00AS31310	RG00AS31311	RG00AS31312
1.00	2.00-2.50	RG00AS31320	RG00AS31321	RG00AS31322
	3.25-5.00	RG00AS32320	RG00AS32321	RG00AS32322
1.38	3.25-5.00	RG00AS32330	RG00AS32331	RG00AS32332
	6.00-8.00	RG00AS33330	RG00AS33331	RG00AS33332
1.75	6.00-10.00	RG00AS33340	RG00AS33341	RG00AS33342
2.00	10.00	RG00AS33350	RG00AS33351	RG00AS33352

Rod Gland Kit



All rod gland kits are pre-packed and ready for easy and quick installs.



ASH Series
1-1/2" to 10" Bores

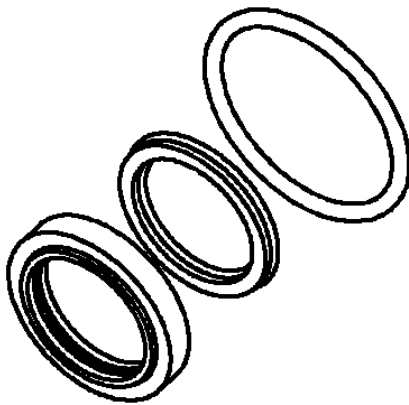


Standard seal kit includes Buna materials

EPR equals Ethylene Propylene Material

Don't forget the Magnalube-G® assembly grease. Available in a 3/4 oz. tube as OFP part no. 147. (Not included with service kits)

Rod Seal Kit



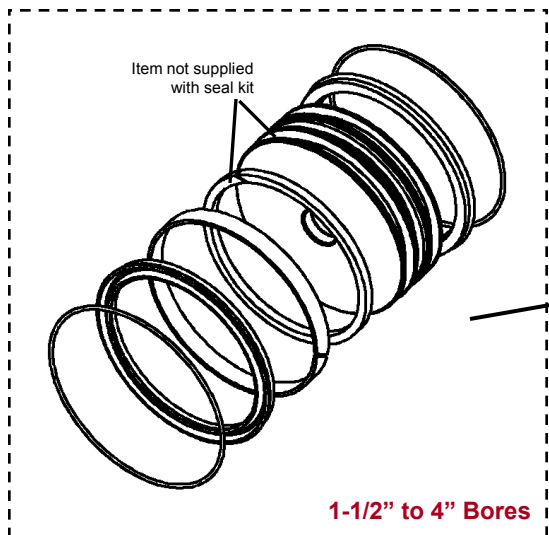
Rod Seal Kits - RS Kits

ROD DIA.	BORE	MATERIAL TYPE		
		STD	VITON®	EPR
.63	1.50	RS00AS40310	RS00AS40311	RS00AS40312
	2.00-2.50	RS00AS41310	RS00AS41311	RS00AS41312
1.00	2.00-2.50	RS00AS41320	RS00AS41321	RS00AS41322
	3.25-5.00	RS00AS42320	RS00AS42321	RS00AS42322
1.38	3.25-5.00	RS00AS42330	RS00AS42331	RS00AS42332
	6.00-8.00	RS00AS43330	RS00AS43331	RS00AS43332
1.75	6.00-10.00	RS00AS43340	RS00AS43341	RS00AS43342
2.00	10.00	RS00AS43350	RS00AS43351	RS00AS43352

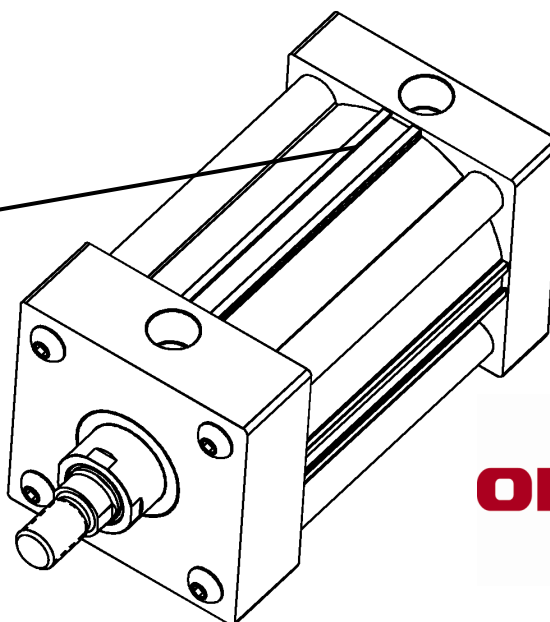
Tube Seal Kits - TS Kits

ASH Series

1-1/2" to 10" Bores



1-1/2" to 4" Bores



Standard Seal Kits

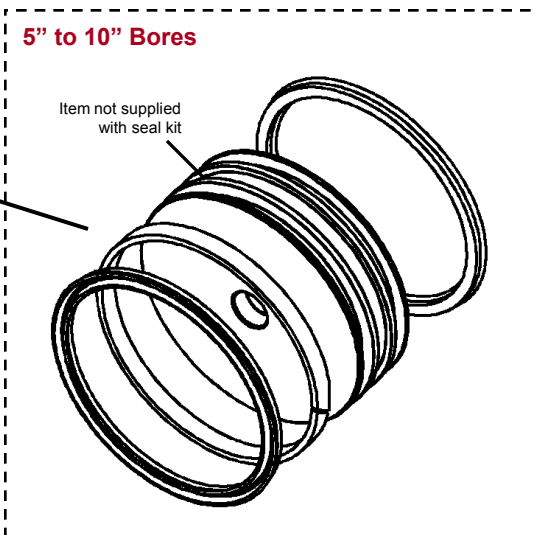
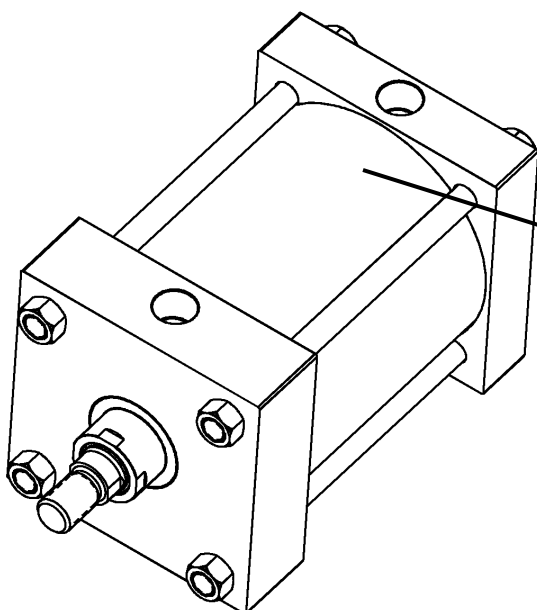
BORE	MATERIAL TYPE		
	STD	VITON®	EPR
1.50	TS77AS12000	TS77AS12001	TS777AS2002
2.00	TS78AS12000	TS78AS12001	TS78AS12002
2.50	TS79AS12000	TS79AS12001	TS79AS12002
3.25	TS81AS12000	TS81AS12001	TS81AS12002
4.00	TS83AS12000	TS83AS12001	TS83AS12002
5.00	TS84AS12000	TS84AS12001	TS84AS12002
6.00	TS85AS12000	TS85AS12001	TS85AS12002
8.00	TS87AS12000	TS87AS12001	TS87AS12002
10.00	TS88AS12000	TS88AS12001	TS88AS12002

NOT INCLUDED IN KIT	
MAGNETIC BAND	
PART	QTY
Y8253-1	1
Y8253-2	1
Y8253-3	1
Y8253-4	1
Y8253-5	1
N/A	

Standard seal kit includes Buna Material

EPR equals Ethylene Propylene Material

Don't forget the Magnalube-G® assembly grease. Available in a 3/4 oz. tube as OFP part no. 147. (Not included with service kits)



5" to 10" Bores

Item not supplied with seal kit