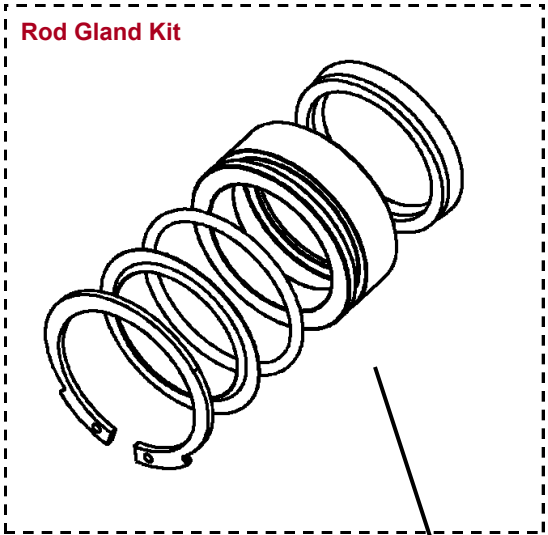


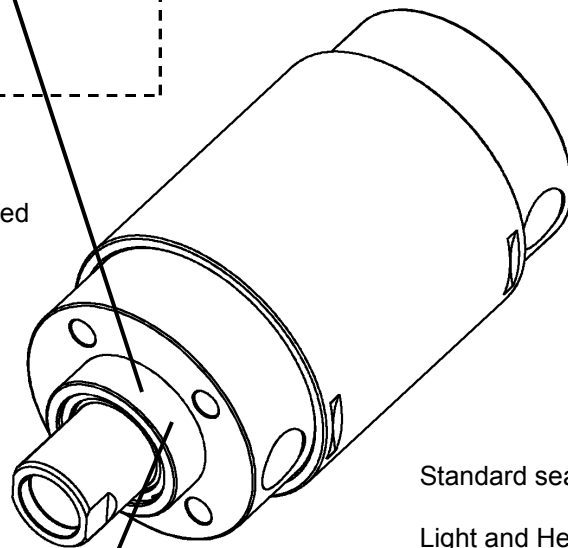
# Rod Gland Kits - RG Kits

ROD DIA.	BORE RANGE	MATERIAL TYPE		
		STD	VITON®	EPR
.75	1.50-2.00	<b>RG001530160</b>	RG001530161	RG001530162
1.00	2.50-3.00	<b>RG001530020</b>	RG001530021	RG001530022
1.25	3.50-4.00	<b>RG001530170</b>	RG001530171	RG001530172
1.50	5.00	<b>RG001530180</b>	RG001530181	RG001530182
1.75	6.00	<b>RG001530040</b>	RG001530041	RG001530042
2.25	8.00	<b>RG001530190</b>	RG001530191	RG001530192

All rod gland kits contain a ductile iron bearing.



All rod gland kits are pre-packed and ready for easy and quick installs.



101K Series  
1-1/2" to 8" Bores

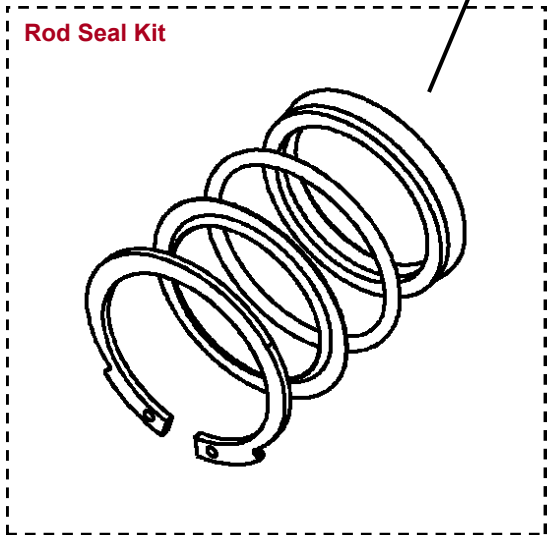


Standard seal kit includes Buna material

Light and Heavy Duty Applications use the same rod gland and seal kits.

EPR equals Ethylene Propylene Material

Don't forget the Magnalube-G® assembly grease. Available in a 3/4 oz. tube as OFP part no. 147. (Not included with service kits)



# Rod Seal Kits - RS Kits

ROD DIA.	BORE RANGE	MATERIAL TYPE		
		STD	VITON®	EPR
.75	1.50-2.00	<b>RS001540160</b>	RS001540161	RS001540162
1.00	2.50-3.00	<b>RS001540020</b>	RS001540021	RS001540022
1.25	3.50-4.00	<b>RS001540170</b>	RS001540171	RS001540172
1.50	5.00	<b>RS001540180</b>	RS001540181	RS001540182
1.75	6.00	<b>RS001540040</b>	RS001540041	RS001540042
2.25	8.00	<b>RS001540190</b>	RS001540191	RS001540192

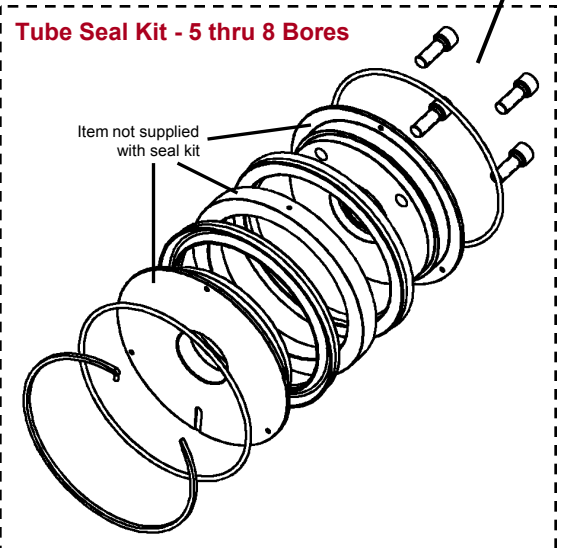
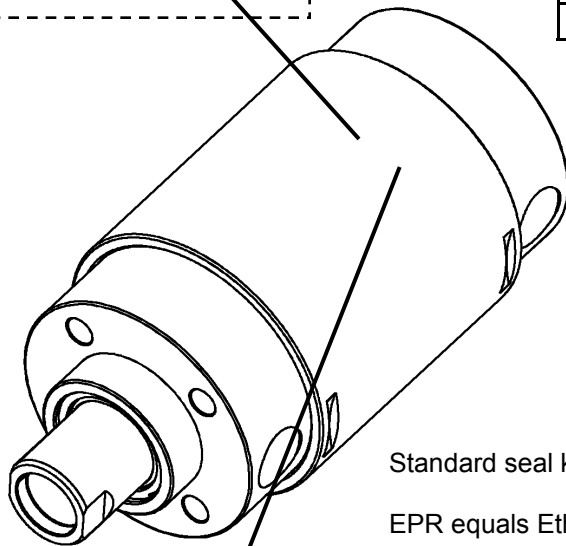
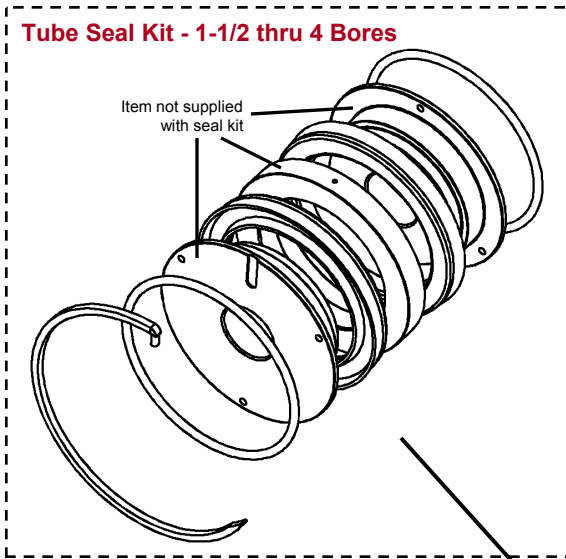
# Tube Seal Kits - TS Kits

Light Duty

BORE	MATERIAL TYPE		
	STD	VITON®	EPR
1.50	<b>TS2715120K0</b>	TS2715120K1	TS2715120K2
2.00	<b>TS2815120K0</b>	TS2815120K1	TS2815120K2
2.50	<b>TS2915120K0</b>	TS2915120K1	TS2915120K2
3.00	<b>TS3015120K0</b>	TS3015120K1	TS3015120K2
3.50	<b>TS3215120K0</b>	TS3215120K1	TS3215120K2
4.00	<b>TS3315120K0</b>	TS3315120K1	TS3315120K2

Heavy Duty

BORE	MATERIAL TYPE		
	STD	VITON®	EPR
1.50	<b>TS2715120H0</b>	TS2715120H1	TS2715120H2
2.00	<b>TS2815120H0</b>	TS2815120H1	TS2815120H2
2.50	<b>TS2915120H0</b>	TS2915120H1	TS2915120H2
3.00	<b>TS3015120H0</b>	TS3015120H1	TS3015120H2
3.50	<b>TS3215120H0</b>	TS3215120H1	TS3215120H2
4.00	<b>TS3315120H0</b>	TS3315120H1	TS3315120H2



## 101K Series 1-1/2" to 8" Bores



Standard seal kit includes Buna material

EPR equals Ethylene Propylene Material

Don't forget the Magnalube-G® assembly grease.  
Available in a 3/4 oz. tube as OFP part no. 147.  
(Not included with service kits)

Light Duty

BORE	MATERIAL TYPE		
	STD	VITON®	EPR
5.00	<b>TS3415120K0</b>	TS3415120K1	TS3415120K2
6.00	<b>TS3515120K0</b>	TS3515120K1	TS3515120K2
8.00	<b>TS3715120K0</b>	TS3715120K1	TS3715120K2

Heavy Duty

BORE	MATERIAL TYPE		
	STD	VITON®	EPR
5.00	<b>TS3415120H0</b>	TS3415120H1	TS3415120H2
6.00	<b>TS3515120H0</b>	TS3515120H1	TS3515120H2
8.00	<b>TS3715120H0</b>	TS3715120H1	TS3715120H2